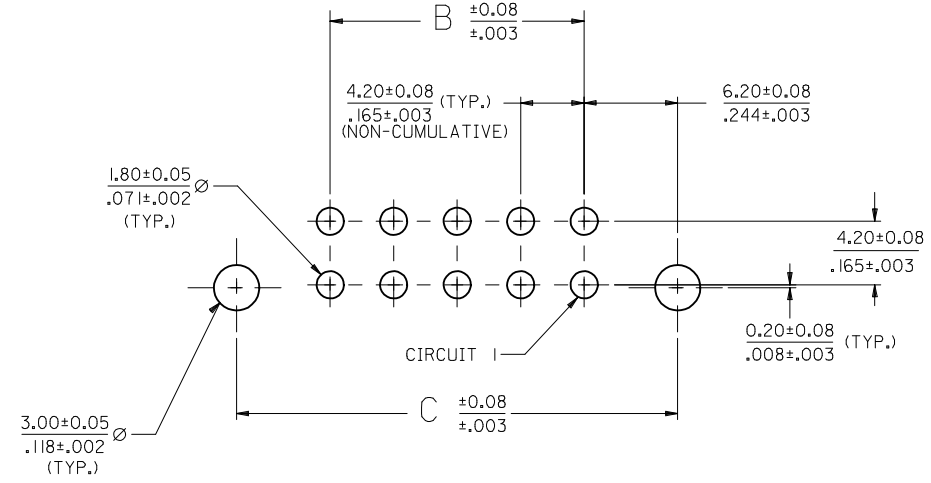
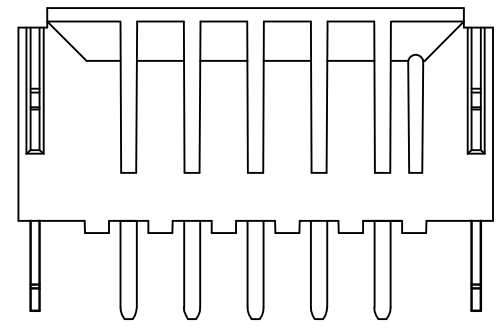


- 1) MATERIALS:
 HOUSING: PA46 FILLED, UL94V-0, COLOR: BLACK
 TERMINAL: BRASS
 BOARD RETENTION CLIP: BRASS
- 2) FINISHES:
 1 = 0.00254/(.000100) MIN TIN OVER NICKEL
 2 = 0.00076/(.000030) MIN GOLD OVER NICKEL
- 3) PRODUCT SPECIFICATIONS: PS-43810-001
- 4) PACKAGING SPECIFICATIONS: PK-43879-001
- 5) PART MATES WITH MOLEX RECEPTACLE SERIES 5557 AND 42474, AND HEADER SERIES 42385.
- 6) PART ALLOWS FOR 1.27/.050 MAX. MISALIGNMENT WITH MATING HOUSINGS IN ANY DIRECTION.
- 7) CONNECTOR ASSEMBLIES ARE NOT TO BE MATED AND UNMATED WHILE CIRCUITS ARE LIVE.
- 8) THIS DIMENSION DOES NOT APPLY TO PARTS WITHOUT P.C. BOARD RETENTION CLIPS.
- 9) PARTS CONFORM TO CLASS 'B' REQUIREMENTS OF COSMETIC SPECIFICATION PS-45499-002



CKTS	DIM. "A"	DIM. "B"	DIM. "C"
4	18.81 .740	4.20 .165	16.60 .653
6	23.01 .906	8.40 .331	20.80 .819
8	27.21 1.071	12.60 .496	25.00 .984
10	31.41 1.237	16.80 .661	29.20 1.150
12	35.61 1.402	21.00 .828	33.40 1.315
14	39.81 1.567	25.20 .992	37.60 1.480
16	44.01 1.733	29.40 1.157	41.80 1.646
18	48.21 1.898	33.60 1.323	46.00 1.811
20	52.41 2.063	37.80 1.488	50.20 1.976
22	56.61 2.229	42.00 1.654	54.40 2.142
24	60.81 2.394	46.20 1.819	58.60 2.307

PCB LAYOUT: COMPONENT SIDE

RECOMMENDED PCB THICKNESS: SEE CHART

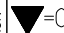
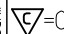

2	E2
1	E2
SHEET	REV

REVISED NOTES EC NO: UCP2009-1250 DRWN:JKLOSTEMEIER 2008/11/24 CHKD:JBELL 2008/11/24 APPR:FSMITH 2008/11/24	QUALITY SYMBOLS ▽=0 ▽=0	GENERAL TOLERANCES (UNLESS SPECIFIED) <table border="1"> <tr> <th></th> <th>mm</th> <th>INCH</th> </tr> <tr> <td>4 PLACES</td> <td>± ---</td> <td>± ---</td> </tr> <tr> <td>3 PLACES</td> <td>± ---</td> <td>±.010</td> </tr> <tr> <td>2 PLACES</td> <td>± 0.25</td> <td>±.014</td> </tr> <tr> <td>1 PLACE</td> <td>± 0.35</td> <td>± ---</td> </tr> </table>		mm	INCH	4 PLACES	± ---	± ---	3 PLACES	± ---	±.010	2 PLACES	± 0.25	±.014	1 PLACE	± 0.35	± ---	DIMENSION STYLE MM/IN	SCALE 1:1	DESIGN UNITS METRIC	THIRD ANGLE PROJECTION
		mm	INCH																		
	4 PLACES	± ---	± ---																		
	3 PLACES	± ---	±.010																		
2 PLACES	± 0.25	±.014																			
1 PLACE	± 0.35	± ---																			
MATERIAL NO. SEE SHEET 2	DRAWN BY MANLAPAZ	DATE 1997/12/04	CHECKED BY BANDURA	DATE 1997/12/06	TITLE MINI-FIT JR BMI SMC VERTICAL HEADER ASM VARIOUS BOARD THICKNESS	MOLEX INCORPORATED															
DRAFT WHERE APPLICABLE MUST REMAIN WITHIN DIMENSIONS	APPROVED BY EDGLEY	DATE 1997/12/06	DOCUMENT NO. SD-44068-031	SHEET NO. 1 OF 2	THIS DRAWING CONTAINS INFORMATION THAT IS PROPRIETARY TO MOLEX INCORPORATED AND SHOULD NOT BE USED WITHOUT WRITTEN PERMISSION																
E2																					

	13	12	11	10	9	8	7	6	5	4	3	2	1
J	FINISH:	1 (SEE NOTE 2)		FINISH:	1 (SEE NOTE 2)	FINISH:	1 (SEE NOTE 2)	FINISH:	1 (SEE NOTE 2)	FINISH:	1 (SEE NOTE 2)		
	DIM. D:	WITHOUT CLIP		DIM. D:	(2.59 ± 0.25) .102 \pm .010	DIM. D:	(3.40 ± 0.25) .134 \pm .010	DIM. D:	(4.19 ± 0.25) .165 \pm .010	DIM. D:	(4.19 ± 0.25) .165 \pm .010		
	DIM. E:	(3.30) .130 REF.		DIM. E:	(3.30) .130 REF.	DIM. E:	(4.42) .174 REF.	DIM. E:	(4.42) .174 REF.	DIM. E:	(4.88) .192 REF.		
	PCB THICKNESS:	(1.60 ± 0.18) .063 \pm .007		PCB THICKNESS:	(1.60 ± 0.18) .063 \pm .007	PCB THICKNESS:	(2.39 ± 0.18) .094 \pm .007	PCB THICKNESS:	(2.39 ± 0.18) .094 \pm .007	PCB THICKNESS:	(3.18 ± 0.18) .125 \pm .007		
I	CIRCUITS	MATERIAL NO.		CIRCUITS	MATERIAL NO.	CIRCUITS	MATERIAL NO.	CIRCUITS	MATERIAL NO.	CIRCUITS	MATERIAL NO.		
	04	44068-0023		04	44068-0001	04	44068-0045	04	44068-0045	04	44068-0089		
	06	44068-0024		06	44068-0002	06	44068-0046	06	44068-0046	06	44068-0090		
	08	X 44068-0025		08	X 44068-0003	08	X 44068-0047	08	X 44068-0047	08	X 44068-0091		
H	10	44068-0026		10	44068-0004	10	44068-0048	10	44068-0048	10	44068-0092		
	12	X 44068-0027		12	X 44068-0005	12	X 44068-0049	12	X 44068-0049	12	X 44068-0093		
	14	44068-0028		14	44068-0006	14	44068-0050	14	44068-0050	14	44068-0094		
	16	X 44068-0029		16	X 44068-0007	16	X 44068-0051	16	X 44068-0051	16	X 44068-0095		
G	18	44068-0030		18	44068-0008	18	44068-0052	18	44068-0052	18	44068-0096		
	20	X 44068-0031		20	X 44068-0009	20	X 44068-0053	20	X 44068-0053	20	X 44068-0097		
	22	X 44068-0032		22	X 44068-0010	22	X 44068-0054	22	X 44068-0054	22	X 44068-0098		
	24	44068-0033		24	44068-0011	24	44068-0055	24	44068-0055	24	44068-0099		

F	FINISH:	2 (SEE NOTE 2)		FINISH:	2 (SEE NOTE 2)	FINISH:	2 (SEE NOTE 2)	FINISH:	2 (SEE NOTE 2)	FINISH:	2 (SEE NOTE 2)		
	DIM. D:	WITHOUT CLIP		DIM. D:	(2.59 ± 0.25) .102 \pm .010	DIM. D:	(3.40 ± 0.25) .134 \pm .010	DIM. D:	(4.19 ± 0.25) .165 \pm .010	DIM. D:	(4.19 ± 0.25) .165 \pm .010		
	DIM. E:	(3.30) .130 REF.		DIM. E:	(3.30) .130 REF.	DIM. E:	(4.42) .174 REF.	DIM. E:	(4.42) .174 REF.	DIM. E:	(4.88) .192 REF.		
	PCB THICKNESS:	(1.60 ± 0.18) .063 \pm .007		PCB THICKNESS:	(1.60 ± 0.18) .063 \pm .007	PCB THICKNESS:	(2.39 ± 0.18) .094 \pm .007	PCB THICKNESS:	(2.39 ± 0.18) .094 \pm .007	PCB THICKNESS:	(3.18 ± 0.18) .125 \pm .007		
E	CIRCUITS	MATERIAL NO.		CIRCUITS	MATERIAL NO.	CIRCUITS	MATERIAL NO.	CIRCUITS	MATERIAL NO.	CIRCUITS	MATERIAL NO.		
	04	44068-0034		04	44068-0012	04	44068-0056	04	44068-0056	04	44068-0100		
	06	44068-0035		06	44068-0013	06	44068-0057	06	44068-0057	06	44068-0101		
	08	X 44068-0036		08	X 44068-0014	08	X 44068-0058	08	X 44068-0058	08	X 44068-0102		
D	10	44068-0037		10	44068-0015	10	44068-0059	10	44068-0059	10	44068-0103		
	12	X 44068-0038		12	X 44068-0016	12	X 44068-0060	12	X 44068-0060	12	X 44068-0104		
	14	44068-0039		14	44068-0017	14	44068-0061	14	44068-0061	14	44068-0105		
	16	X 44068-0040		16	X 44068-0018	16	X 44068-0062	16	X 44068-0062	16	X 44068-0106		
C	18	44068-0041		18	44068-0019	18	44068-0063	18	44068-0063	18	44068-0107		
	20	X 44068-0042		20	X 44068-0020	20	X 44068-0064	20	X 44068-0064	20	X 44068-0108		
	22	X 44068-0043		22	X 44068-0021	22	X 44068-0065	22	X 44068-0065	22	X 44068-0109		
	24	44068-0044		24	44068-0022	24	44068-0066	24	44068-0066	24	44068-0110		

X PRECEDING PART NUMBER DESIGNATES
CIRCUIT SIZE IS NOT TOOLED
PLEASE CONTACT FACTORY

SEE SHEET 1 EC NO: UCP2009-1250 DRWN: J.KLOSTER 2008/11/24 CHKD: J.BELL 2008/11/24 APPR: F.SMITH 2008/11/24 REV: E2	QUALITY SYMBOLS  =0  =0	GENERAL TOLERANCES (UNLESS SPECIFIED) <table border="1"> <thead> <tr> <th></th> <th>mm</th> <th>INCH</th> </tr> </thead> <tbody> <tr> <td>4 PLACES</td> <td>\pm---</td> <td>\pm---</td> </tr> <tr> <td>3 PLACES</td> <td>\pm---</td> <td>\pm.010</td> </tr> <tr> <td>2 PLACES</td> <td>\pm0.25</td> <td>\pm.014</td> </tr> <tr> <td>1 PLACE</td> <td>\pm0.35</td> <td>\pm---</td> </tr> </tbody> </table>		mm	INCH	4 PLACES	\pm ---	\pm ---	3 PLACES	\pm ---	\pm .010	2 PLACES	\pm 0.25	\pm .014	1 PLACE	\pm 0.35	\pm ---	DIMENSION STYLE MM/IN DRAWN BY: SAMIEC DATE: 1998/05/06 CHECKED BY: BANDURA DATE: 1998/05/06 APPROVED BY: EDGLEY DATE: 1998/05/06	SCALE: 1:1 DESIGN UNITS: METRIC THIRD ANGLE PROJECTION	TITLE: MINI-FIT JR BMI SMC VERTICAL HEADER ASM VARIOUS BOARD THICKNESS  MOLEX INCORPORATED MATERIAL NO. SEE CHART DOCUMENT NO. SD-44068-031 SHEET NO. 2 OF 2
		mm	INCH																	
	4 PLACES	\pm ---	\pm ---																	
	3 PLACES	\pm ---	\pm .010																	
2 PLACES	\pm 0.25	\pm .014																		
1 PLACE	\pm 0.35	\pm ---																		
DRAFT WHERE APPLICABLE MUST REMAIN WITHIN DIMENSIONS		THIS DRAWING CONTAINS INFORMATION THAT IS PROPRIETARY TO MOLEX INCORPORATED AND SHOULD NOT BE USED WITHOUT WRITTEN PERMISSION																		